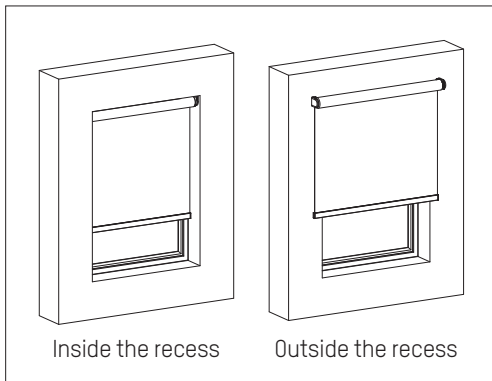


# HOW TO MEASURE MY SMARTBLINDS?

**!** Before you begin measuring, note any obstructions such as door and/or window hardware that protrudes, heating pipes, or inward-turning doors and windows.

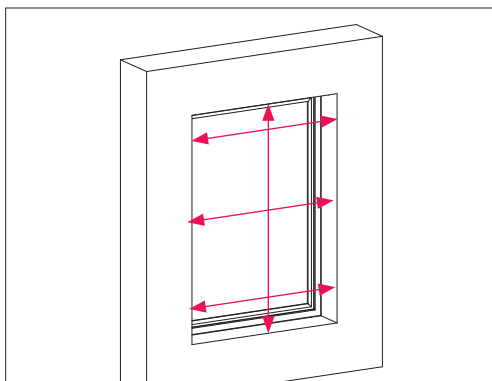
**1** Decide where and how you want to install the (day and night) roller blind



This can be done inside the recess or outside the recess. If you install the blind outside the recess, it is mounted on the wall and will be placed over the window with overlap on both sides.

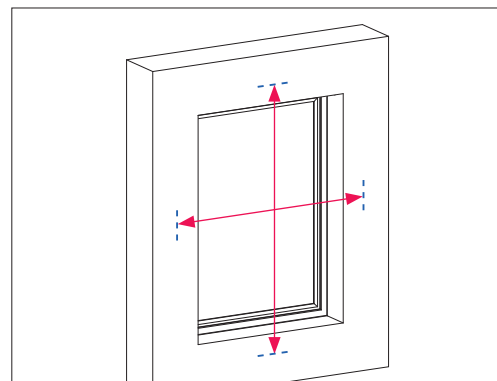
**TIP:** NOTE THE SIZES IN THE SIZE CHART ON THE BACK

**2** Measure the dimensions of your window



## Option A: Inside the recess

Do you want to install your Smartblinds inside the recess? Measure the width at three points of the window, keeping the smallest measurement. Measure the height at the centre of the window. **Please note!** We supply the blind with a reduction of 3 mm on both sides. Please indicate the exact size of your window recess and we will make sure that the blind fits exactly in between. **Please don't do any reductions yourself!** Also take into account a system height of 10 cm for possible obstacles such as doors and windows turning inwards.



## Option B: Outside the recess

Do you want to install your Smartblinds outside the recess? Then measure the width and height of the window recess, with a small overlap. We recommend an overlap of 5 cm on both sides. Please add a total of 10 cm to the width measurement. To determine the height, add 10 cm (this is the height of system) to the height of your window recess. Would you like the blind to continue at the bottom? Then decide how many extra centimeters you want in height.

## A MORE DETAILED EXPLANATION?

Scan the QR code or visit <https://smartbl.in/measuring> for the measurement guide and instructional videos.



**3** Order your Smartblinds

Scan the QR code on your sample and configure your Smartblinds directly in our webshop.

# HOW TO MEASURE MY SMARTBLINDS?

 Note the sizes of your Smartblinds in the table below

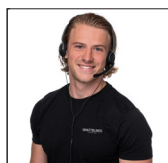
Name window	Mounting		Width cm	Height cm	Mounting height* cm	Motor side*	
	inside the recess	outside the recess				left	right
_____	<input type="checkbox"/>	<input type="checkbox"/>	_____	_____	_____	<input type="checkbox"/>	<input type="checkbox"/>
_____	<input type="checkbox"/>	<input type="checkbox"/>	_____	_____	_____	<input type="checkbox"/>	<input type="checkbox"/>
_____	<input type="checkbox"/>	<input type="checkbox"/>	_____	_____	_____	<input type="checkbox"/>	<input type="checkbox"/>
_____	<input type="checkbox"/>	<input type="checkbox"/>	_____	_____	_____	<input type="checkbox"/>	<input type="checkbox"/>
_____	<input type="checkbox"/>	<input type="checkbox"/>	_____	_____	_____	<input type="checkbox"/>	<input type="checkbox"/>
_____	<input type="checkbox"/>	<input type="checkbox"/>	_____	_____	_____	<input type="checkbox"/>	<input type="checkbox"/>
_____	<input type="checkbox"/>	<input type="checkbox"/>	_____	_____	_____	<input type="checkbox"/>	<input type="checkbox"/>
_____	<input type="checkbox"/>	<input type="checkbox"/>	_____	_____	_____	<input type="checkbox"/>	<input type="checkbox"/>
_____	<input type="checkbox"/>	<input type="checkbox"/>	_____	_____	_____	<input type="checkbox"/>	<input type="checkbox"/>
_____	<input type="checkbox"/>	<input type="checkbox"/>	_____	_____	_____	<input type="checkbox"/>	<input type="checkbox"/>

\*This is the distance between the floor and the mounting point.

\*\*Motor side determines side of charging port and pull operation.

Do you still have questions or need advice from our experts?

Get in touch with us! Our experts are happy to give you personal advice in a virtual meeting, where they will tell you everything about measuring your Smartblinds.



For contact, to schedule a virtual meeting or to send photos, go to <https://smartbl.in/help> or scan the QR code.

